



HARBEN®

4018 VanPack Jetter

- Proven Harben Build Quality
- Up to 4000 PSI @18 GPM
- Cleans Drains up to 18 INCH Diameter
- Hydraulic Rewind Hose Reel
- Antifreeze Tank
- Jump Jet Kit
- Lightweight & Compact
- 500 Hour Maintenance Interval



Available with full wireless remote control of engine start/stop, pressure high/low and water on/off. The hand-set provides the operator with a real time display of water pressure, radio signal and battery strength up to 300ft from the machine.

Model 4018 VAN PACK

Pressure and Flow	Up to 4000 PSI @ 18 GPM
Pump	Harben Run Dry Radial Piston Diaphragm Pump
Engine	Kubota 49 HP Diesel Engine
Water Tank	100 Gallon Water Capacity
Diesel Tank	8 Gallon Capacity (8hr run time under normal operating conditions)
Frame	Folded Steel Shot Blasted and Powder Coated
Hose Reel	Hydraulic Rewind Fixed Reel (1/2" X 500' capacity) with Speed Control
Dimensions	80" Long X 55" Wide X 60" High. Weight 1550 lbs (excluding water) *
Build Options	Additional 100 gallon Water Tank Option

* All weights & dimensions are approximate

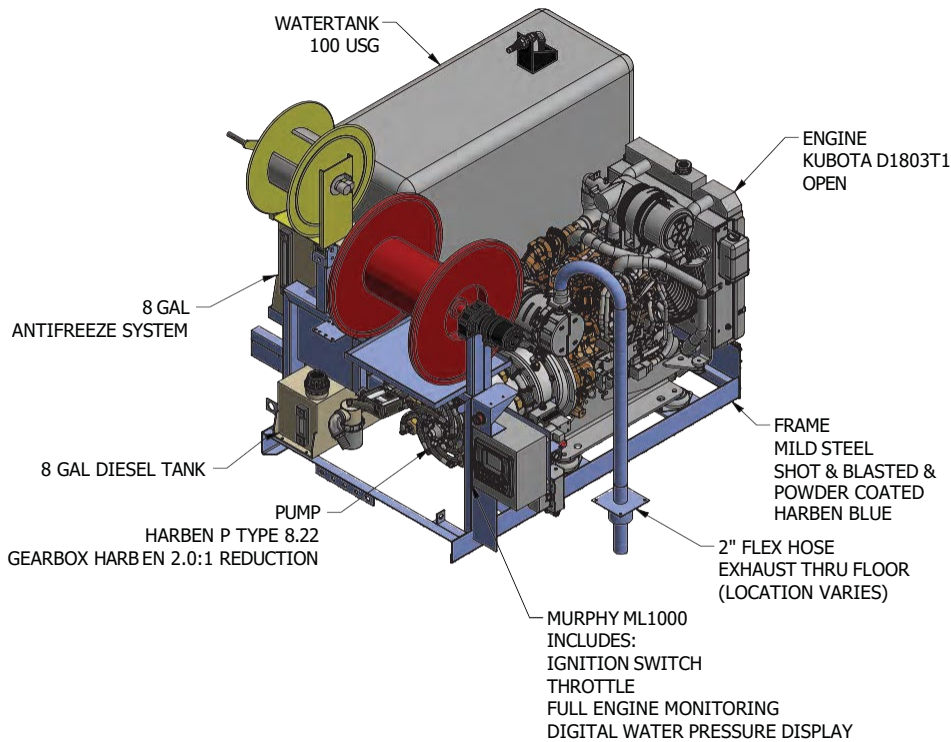


HARBEN®

High Pressure Water Technology

2010 Ronald Reagan Blvd. Cumming, GA 30041
 Toll Free: (800) 327-5387 | Phone: (770) 889-9535
 Email: sales@harben.com | www.harben.com

4018 VanPack Jetter

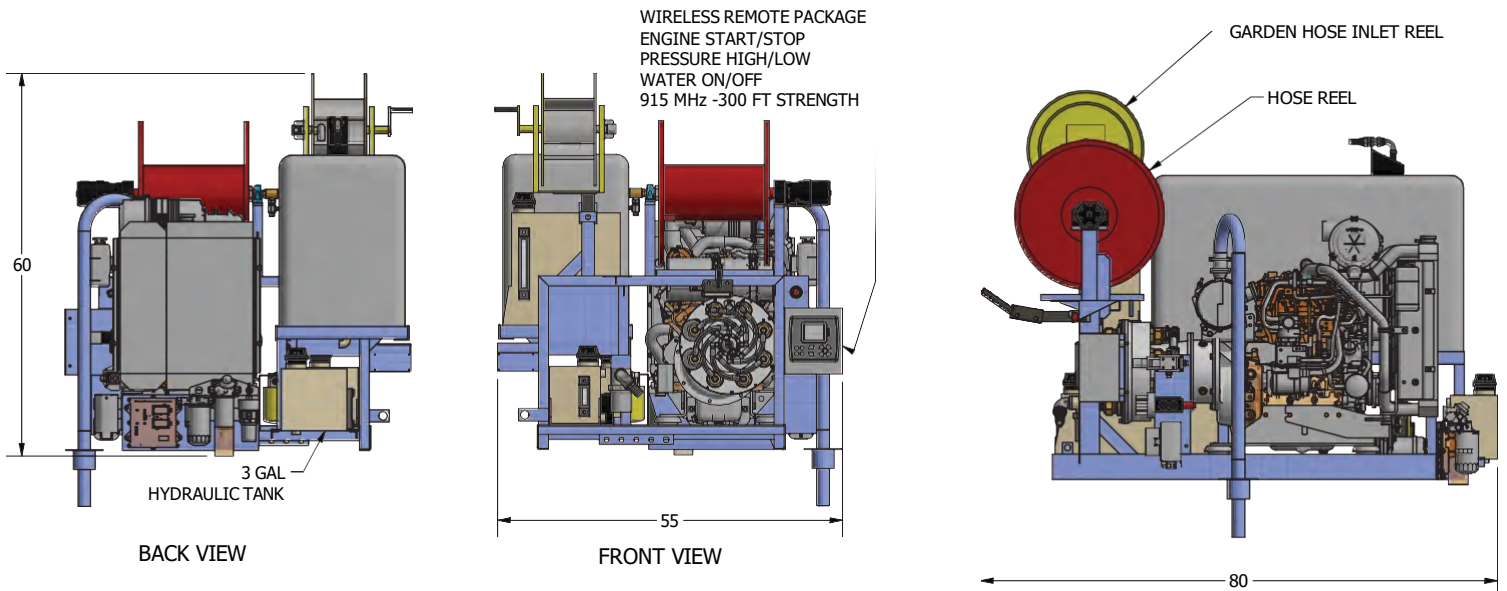


STANDARD ACCESORIES:

- 500ft 1/2 Inch Hose
- 10' Orange Leader Hose
- 9" Drain Jet Extension
- 2" Tiger Tail
- 12 Volt Outlet
- Wireless Remote
- 75' x 5/8" Garden Hose
- Nozzle Holder

OPTIONAL ACCESSORIES:

- High Efficiency Drain Jet - 6R
- High Efficiency Drain Jet - 3R1F
- 1/4" Mini Jet Kit
- Mk2 Dump
- Removable Hose Feed Guide Assembly
- 2" Jet Pump
- Warthog 1/2" Nozzle Package



WARNING PLEASE SEE INSTALLATION INSTRUCTIONS BEFORE INSTALLING OR USING THIS UNIT. IMPROPER INSTALLATION COULD VOID WARRANTY

Harben Incorporated provides the information here in good faith but makes no representation as to its comprehensiveness or accuracy. This data sheet/quotation is intended only as a guide to Harben Incorporated products and services. Individuals using this data sheet/quotation must exercise their independent judgment in evaluating product selection and determining product appropriateness for their particular purpose and system requirements. Harben Incorporated makes no representations or warranties, either expressly or implied, including without limitation any warranties of merchantability or fitness for a particular purpose with respect to the information set forth herein or the product(s) to which the information refers. Accordingly, Harben Incorporated will not be responsible for damages (of any kind, or nature incidental, indirect or consequential damages) resulting from the use of or reliance upon this information. Harben Incorporated reserves the right to change product designs and specifications without notice.

WHY BUY A HARBEN



THE “P” PUMP (FOR DRAIN AND SEVERE CLEANING):

5 YEAR WARRANTY for drain and sewer cleaning. Barrels are stainless steel so no rust or corrosion. In contrast to conventional triplex pumps, the Harben Radial Piston Diaphragm pump (the “P” pump) doesn't use water to lubricate or cool the pump. This allows our units to OPERATE FOR YEARS BETWEEN OVERHAULING or REBUILDING.

- Jump Jet pulsates at pressures up to 2,500 PSI without damaging the pump.
- Unlike our competitors, the HARBEN “P” Pump will RUN DRY without water INDEFINATELY. The Radial Piston design allows for running the pump without water. There are no packing or seals to keep cool or to lubricate. There are no low water shut off valves.
- The “P” Pump is QUIET with cushioned, direct drive power ends. There is NO water pump drive belt or sprockets to replace or adjust. The pump is so smooth it hangs freely (no mounts) from the engine.
- The “P” Pump has a long HISTORY! Developed 40 years ago, the Radial Piston Diaphragm design has a world wide track record of proven performance in a multitude of industrial, municipal, and pipe cleaning applications. There are over 11,000 units worldwide.



ENGINE:

- Harben features Kubota industrial diesel engines. The engine is warranted for two years with certain internal components protected for three years..
- Currently using the Kubota diesel engine rated at 49 HP. The Kubota 3 cylinder turbocharged diesel engine, and the NEW Kubota 4 cylinder 2.5L EPA electronic fuel injected 61 hp naturally aspirated gasoline engine make for a great edition to the Harben Jetter line.
- Harben industrial class diesels typically run 8,000 to 10,000 hours with no more than regular preventive maintenance service.
- All engines are mounted on a relatively small footprint saving space and weight.
- The standard body is POWDER COATED ACRYLIC ENAMEL for exceptional wear in marine and outdoor environments.



VALUE:

- Harben water jettors – The OLDEST and MOST RESPECTED name in the business. Owners are protected with EXCEPTIONAL WARRANTY PROTECTION and trouble free performance.
- Harben water jettors are ENGINEERED to reduce risks of operator injury and safeguard machine components from damage in the event of operator error.